

CAT. No.

80251-LA

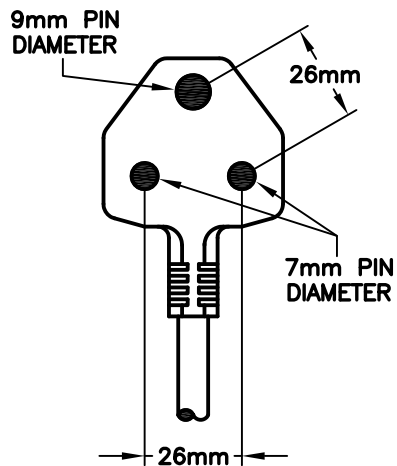
AFRICA, S. AFRICA, INDIA 15 AMPERE 250 VOLT POWER CORD, (UK2-15P) BS 546A TYPE M PLUG, LEFT ANGLE IEC 60320 C-19 CONNECTOR, 2 POLE-3 WIRE GROUNDING, 2.5 METERS (8FT.-2IN.) LONG. BLACK.

APPROVALS	SABS <input checked="" type="checkbox"/>	VDE <input checked="" type="checkbox"/>	CEBEC <input checked="" type="checkbox"/>	KEMA <input checked="" type="checkbox"/>	SEMKO <input checked="" type="checkbox"/>
CERTIFICATIONS	REACH <input checked="" type="checkbox"/>	ROHS <input checked="" type="checkbox"/>	ROHS2 <input checked="" type="checkbox"/>	CE <input checked="" type="checkbox"/>	
STANDARDS	BS 546 <input checked="" type="checkbox"/>	BS 546A <input checked="" type="checkbox"/>	SANS 164-1 <input checked="" type="checkbox"/>	SABS 164-1 <input checked="" type="checkbox"/>	IA16A3 <input checked="" type="checkbox"/>

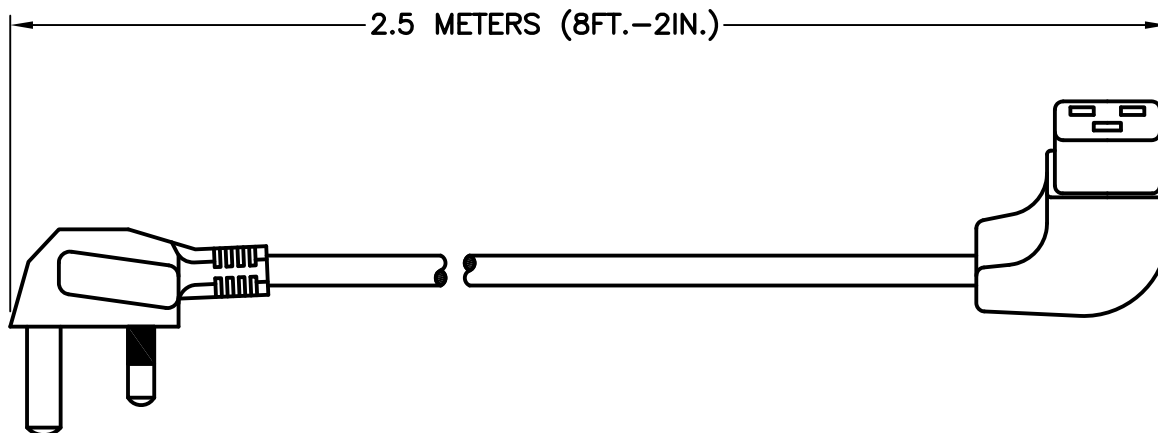
**SPECIFICATIONS:**

1. OVERALL LENGTH: 2.5 METERS (8FT.-2IN.)
2. CONDUCTORS: 1.5 mm x 3 WITH IEC COLOR CODE (GREEN/YELLOW, BLUE, BROWN)
3. JACKET: H05VV-F, BLACK
4. PLUG: BS 546A, LEFT ANGLE, BLACK
5. CONNECTOR: IEC 60320 C-19, LEFT ANGLE, BLACK
6. RATED: 15/16 AMPERE 250 VOLT

**PLUG DIMENSIONS**



UK2-15P  
(BS 546A)



IEC 60320 C-19