

CAT. No.

87040

AFRICA, S. AFRICA, INDIA 10 AMPERE 250 VOLT POWER SUPPLY CORD, (UK2-15P) BS 546A TYPE M PLUG, 2 POLE-3 WIRE GROUNDING, STRIPPED ENDS, 2.5 METERS (8FT.-2IN.) LONG. BLACK.

APPROVALS

SABS

CERTIFICATIONS

REACH ROHS ROHS2

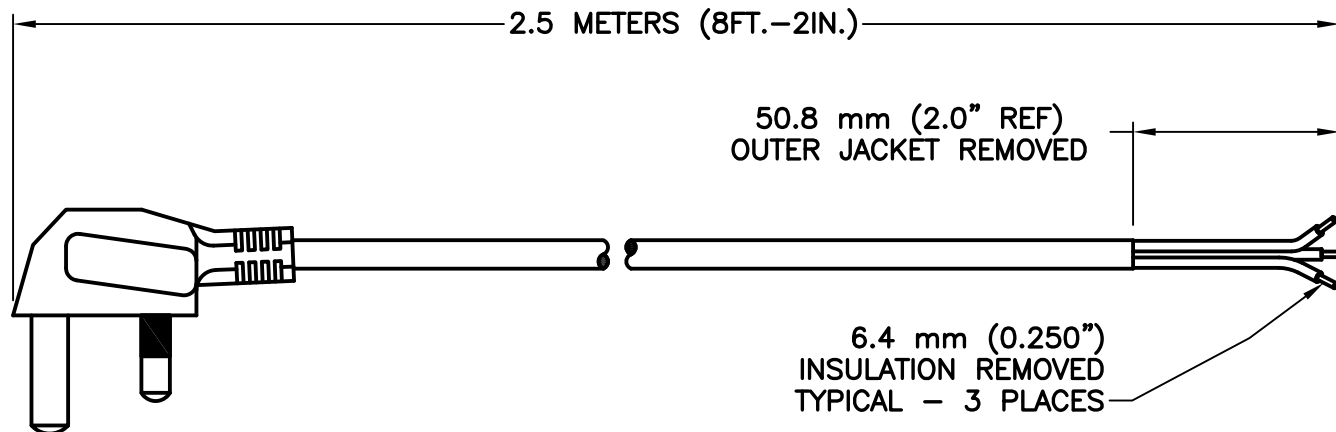
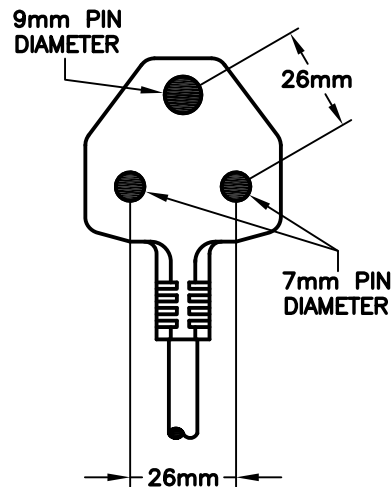
STANDARDS

BS 546 BS 546A SANS 164-1 SABS 164-1 IA16A3

SPECIFICATIONS:

1. OVERALL LENGTH: 2.5 METERS (8FT.-2IN.)
2. CONDUCTORS: 1.0 mm x 3 WITH IEC COLOR CODE (GREEN/YELLOW, BLUE, BROWN)
3. JACKET: H05VV-F, BLACK, OUTSIDE DIAMETER APPROXIMATELY 7.2 mm
4. PLUG: BS 546A, RIGHT ANGLE, BLACK
5. CONNECTOR: NONE
6. RATED: 10 AMPERE 250 VOLT

PLUG DIMENSIONS



UK2-15P
(BS 546A)

International Configurations, Inc. P.O. Box 3374 Enfield, Connecticut 06083 TEL (860)749-6380 FAX (860)749-2985

www.InternationalConfig.com

sales@internationalconfig.com

Copyright 2017 International Configurations, Inc. All Right Reserved ©