

CAT. No.

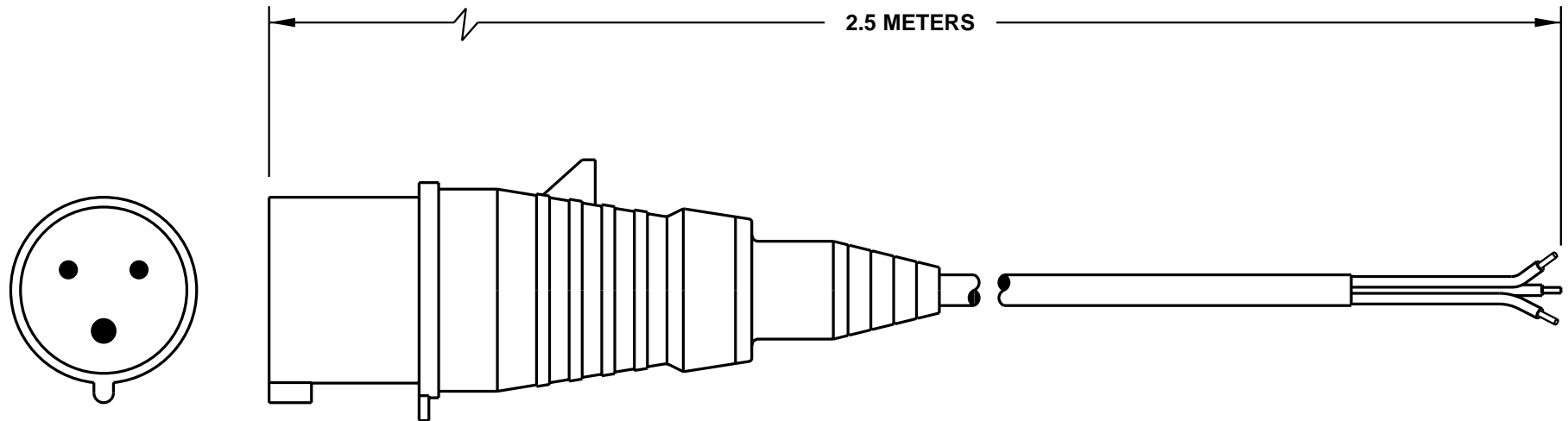
39095

POWER SUPPLY CORD

COMPONENT APPROVALS CE VDE

SPECIFICATIONS:

1. OVERALL LENGTH: 2.5 METERS
2. CONDUCTORS: 4.0 MM x 3
3. JACKET: H07RN, 60 DEGREES C, BLACK
4. PLUG: IEC 60309 6H, 30 AMPERE 250 VOLT (UL/CSA), 32 AMPERE 230 VOLT (EUROPEAN), 2 POLE + EARTH, BLUE
5. CONNECTOR: NONE
6. RATED: 32 AMPERE 230 VOLT



www.InternationalConfig.com
sales@internationalconfig.com