

CAT. No.

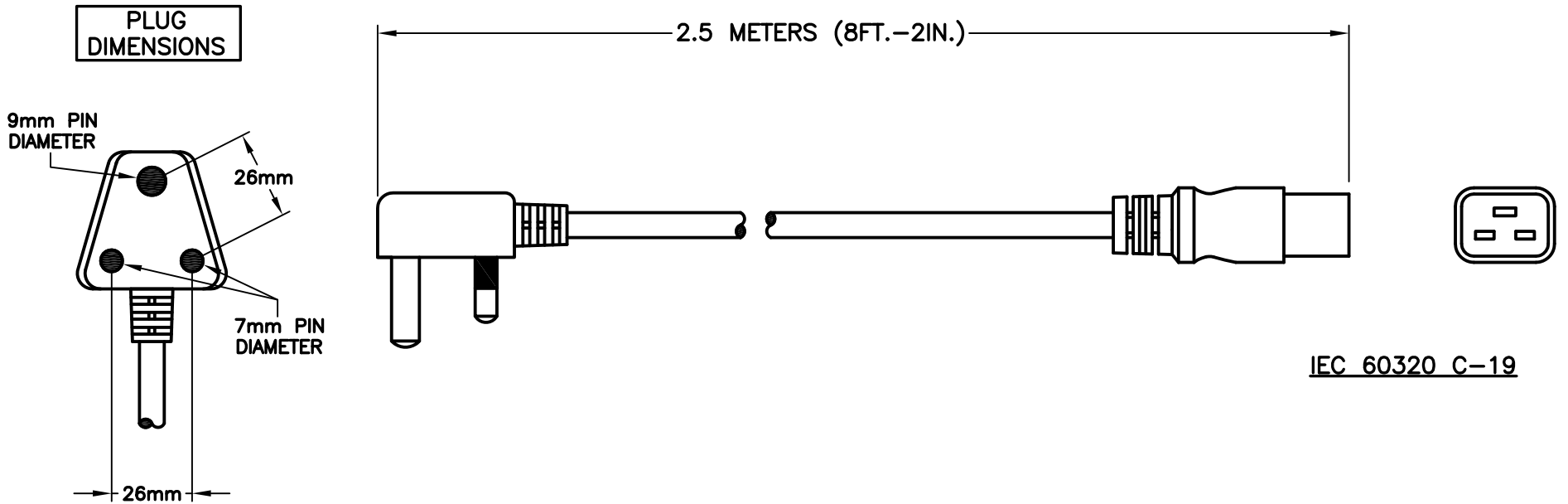
80251

AFRICA, S. AFRICA, INDIA 15 AMPERE 250 VOLT POWER CORD, (UK2-15P) BS 546A TYPE M PLUG, IEC 60320 C-19 CONNECTOR, 2 POLE-3 WIRE GROUNDING, 2.5 METERS (8FT.-2IN.) LONG. BLACK.

APPROVALS	SABS <input checked="" type="checkbox"/>	CEBEC <input checked="" type="checkbox"/>	KEMA <input checked="" type="checkbox"/>	NEMKO <input checked="" type="checkbox"/>	OVE <input checked="" type="checkbox"/>	SEMKO <input checked="" type="checkbox"/>	VDE <input checked="" type="checkbox"/>
CERTIFICATIONS	REACH <input checked="" type="checkbox"/>	ROHS <input checked="" type="checkbox"/>	ROHS2 <input checked="" type="checkbox"/>				
STANDARDS	BS 546 <input checked="" type="checkbox"/>	BS 546A <input checked="" type="checkbox"/>	SANS 164-1 <input checked="" type="checkbox"/>	SABS 164-1 <input checked="" type="checkbox"/>	IA16A3 <input checked="" type="checkbox"/>		

SPECIFICATIONS:

1. OVERALL LENGTH: 2.5 METERS (8FT.-2IN.)
2. CONDUCTORS: 1.5 mm x 3 WITH IEC COLOR CODE (GREEN/YELLOW, BLUE, BROWN)
3. JACKET: H05VV-F, BLACK
4. PLUG: BS 546A, RIGHT ANGLE, BLACK
5. CONNECTOR: IEC 60320 C-19, STRAIGHT, BLACK
6. RATED: 15/16 AMPERE 250 VOLT



UK2-15P
(BS 546A)

IEC 60320 C-19

International Configurations, Inc. P.O. Box 3374 Enfield, Connecticut 06083 TEL (860)749-6380 FAX (860)749-2985

www.InternationalConfig.com

sales@internationalconfig.com

Copyright 2017 International Configurations, Inc. All Right Reserved ©